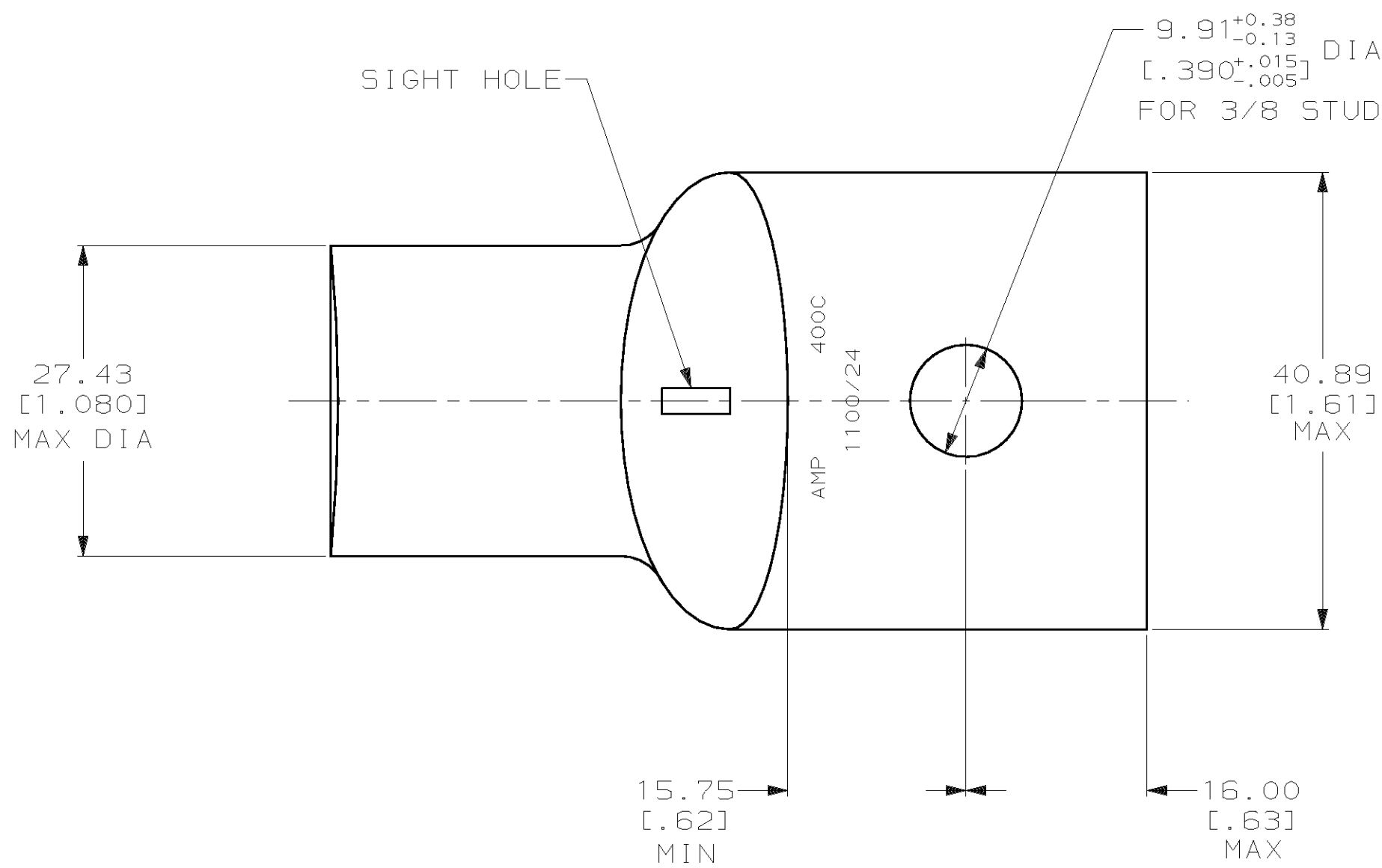
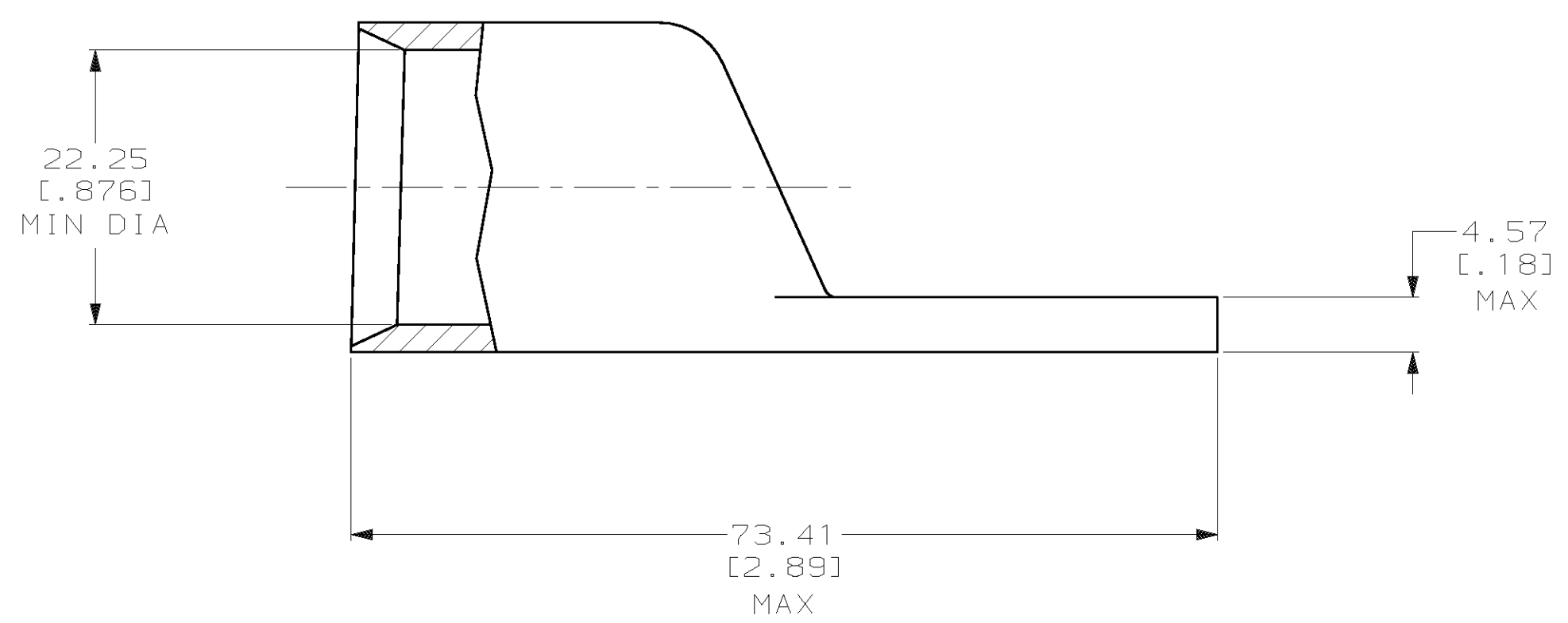


THIS DRAWING IS UNPUBLISHED. RELEASED FOR PUBLICATION ,19 .  
 © COPYRIGHT 19 BY AMP INCORPORATED. ALL INTERNATIONAL RIGHTS RESERVED.

LOC		DIST		ZONE		LTR		REVISIONS		DATE	APPD
G	86	P	F					T	REV PER 0G3A-0561-01	080CT02	JR/MS



1 CIRCULAR MIL AREA RANGE: 375-450 MCM  
 2 TIN PL 0.00381 [.000150] MIN THK PER MIL-T-10727



DO NOT SCALE PRINT. UNLESS SPECIFIED DIMENSIONS IN mm [INCHES] TOLERANCES ON : 2 PLC DEC ± 0.51 [.020] 3 PLC DEC ± - ANGLES ± -		DR 03/16/90 DK SCHRUM	AMP INCORPORATED Harrisburg, Pa. 17105	
MATERIAL ANNEALED COPPER ASTM B-75		CHK 23JAN95 MS FEHER		
FINISH △		APPD 23JAN95 WJ VOCKROTH	NAME TERMINAL, AMPPOWER™ WIRE SIZE: 400 MCM	
APPLICATION SPEC -		APPD 23JAN95 TL SHUTTER	PRODUCT SPEC 108-30200	DRAWING NO 326003
WEIGHT .231 LB		SCALE 2:1	CAGE CODE 00779	SHEET 1 OF 1

326003

326003  
PART NO